

PROVEN OVIVO DRUM SCREEN TECHNOLOGY NOW SMALL, AND IN CHANNEL

High performance capture ratios

Straight channel design

Exceptional solids handling capabilities

Retrofittable to existing channels

No maintenance below grade

6mm to 0.5mm apertures available

Up to 5' deep channels

High reliability for constant flows



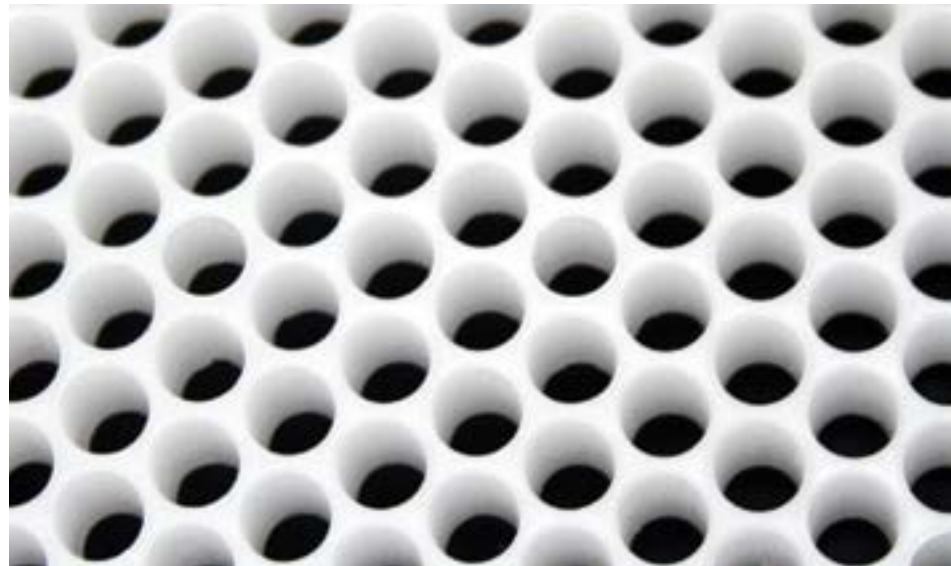
Interested in
maximizing the life
of your downstream
equipment?

Call 1-855-GO-OVIVO to
speak with an Ovivo
Expert.

OVIVO® OZZY CUP SCREEN

OVIVO'S HIGH PERFORMANCE, LOW MAINTENANCE, ELITE SCREENING TECHNOLOGY

Ovivo's Ozzy drum screens are designed to meet the increasing demand for high capacity coarse and fine screening of raw or wastewater coupled with a robust low maintenance operation.



Close up of Ovivo's ProPaPanel® technology

THE OZZY CUP SCREEN IS THE RESULT OF DECADES OF EXPERIENCE DEVELOPING SOME OF THE LARGEST DRUM SCREENS IN THE WORLD

- Low capital and maintenance cost
- Low energy usage
- Simple, slow rotating mechanism
- Simple to maintain
- Paired with the Ovivo's ProPaPanel to reduced hair-pinning, and maximize corrosion resistance and durability.

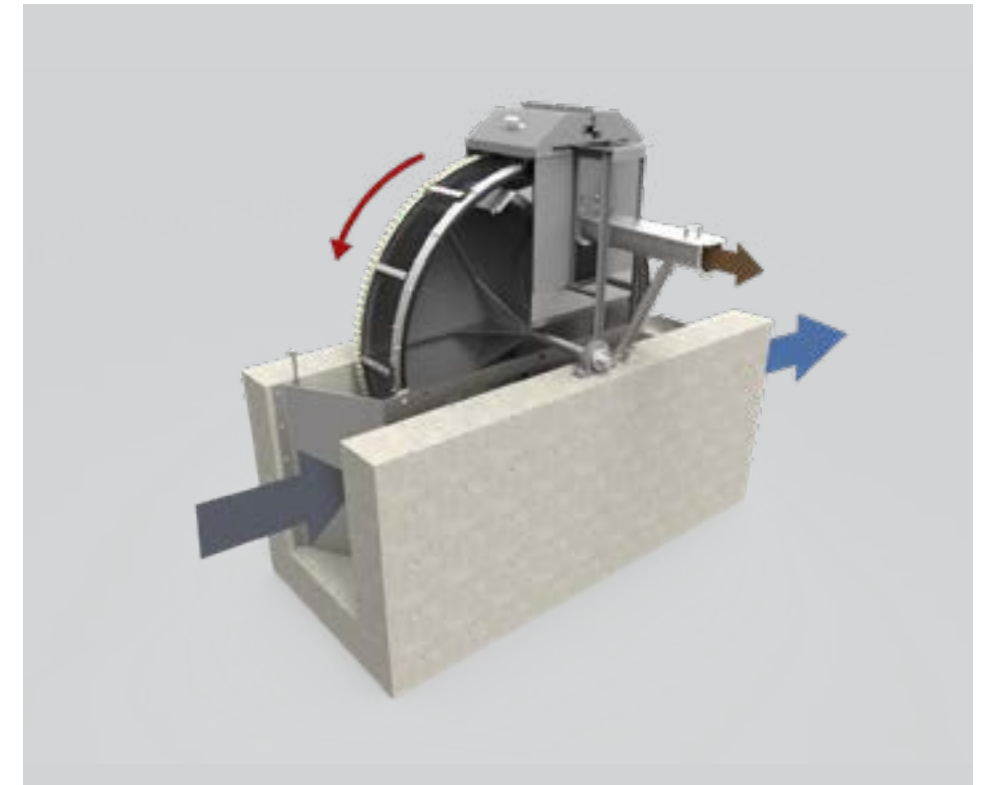
HOW IT WORKS

The Ovivo Ozzy Cup screen consists of a robustly constructed drum structure with a solid horizontal main shaft, which revolves slowly in heavy duty, self-aligning roller bearings.

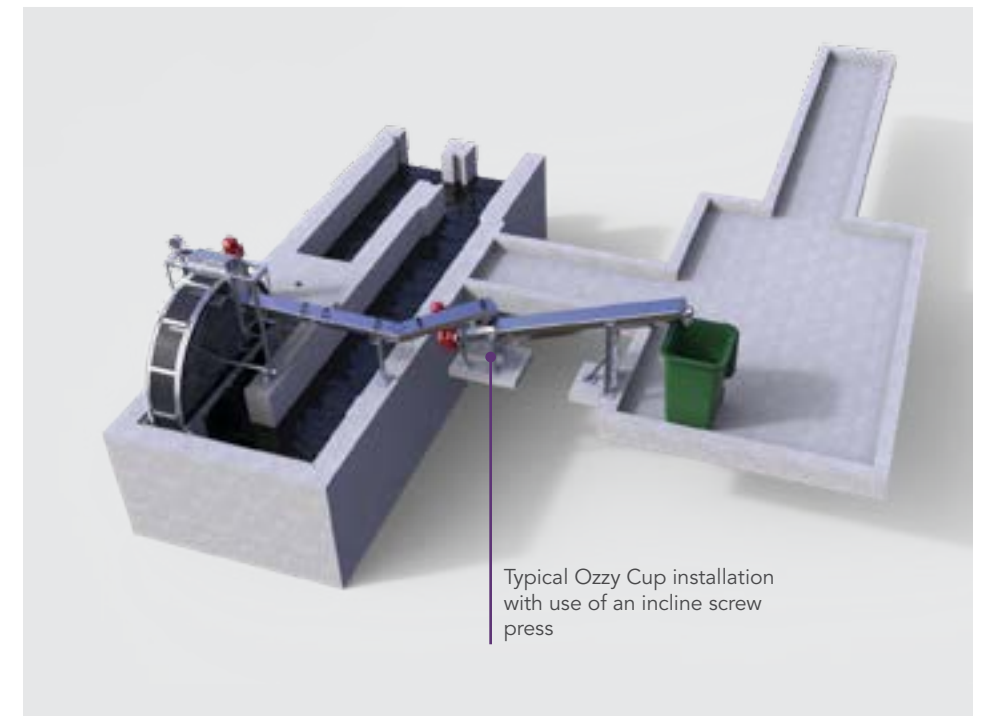
Water flows from the inside to the outside of the drum through mesh panels arranged around its periphery. Mesh panels are cleaned by spray wash nozzles mounted on the outer side of the drum screen. The screenings are then caught by a screening hopper and conveyed to the screw compactor through a sluice trough.

The screen is driven by a simple drive unit positioned at deck level. The final drive is a nylon pinion, which engages with a gear ring on the outside of the drum.

The drum screen structure can be designed to support high differential loading without failure of the mesh panels, thereby ensuring that the downstream plant does not become contaminated by unscreened water and debris.



THE OZZY CUP IS PAIRED WITH OVIVO'S J&A SCREW COMPACTORS OR SCREW PRESS FOR SCREENINGS HANDLING.



Typical Ozzy Cup installation with use of an incline screw press

Design allows for the Ozzy Cup to be installed in new or existing straight channels

OVIVO® Ozzy Cup Drum Screen

AVAILABLE SIZES

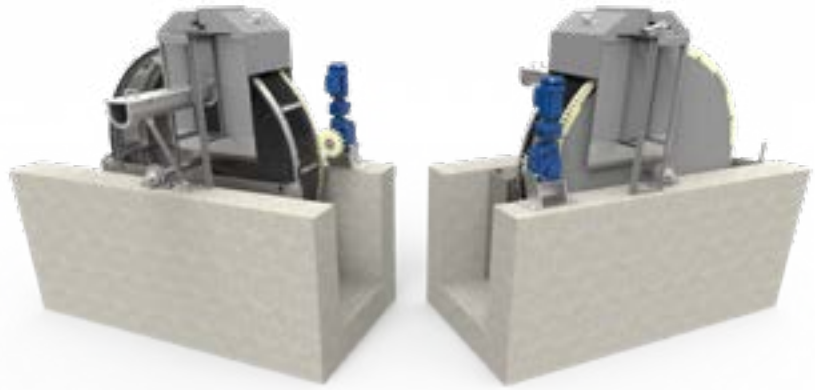
Diameter*: 4'-8' (2'-4' channels depths)

Width*: 0.5'-3'+

Aperture diameter: 0.5, 1, 2, 3, 5, 6mm

Flow range up to 10 MGD at 150mg/L TSS*

**For specific flow capacity and sizing, please contact your local Ovivo Representative.*



ENGINEERING SERVICES

DESIGN AND ANALYSIS

Ovivo advanced 3D graphics and modeling, products are designed for different operating conditions and requirements for its customers.

INSTALL, COMMISSION, MAINTAIN

Ovivo's service engineers can install, commission, maintain all machines and will visit sites around the world to advise on all aspects of our products.

SPARE PARTS

All spares supplied are genuine, guaranteed and supported by our detailed knowledge of all historical modifications or upgrades.

TRAINING

As a supplier of engineered capital equipment, we offer our end users on-site or in-house training courses. Contact our spares and service managers for details of the courses available.



**ALL OF YOUR MANUALS,
ALL OF YOUR KNOWLEDGE,
ALL IN ONE PLACE.**

Get your team on the same page. Upload and share documents & media. Create and manage service logs and maintenance schedules.

Learn more at WaterExpert.com



LEARN MORE!
Scan to view online.



1-855-GO-OVIVO

info@ovivowater.com
ovivowater.com