

J+A Screw Classifier

Mineral grit separation for grit removal systems

Key features & benefits

- Classification for floating solids, settled solids and liquids
- Mild steel coated or stainless steel construction
- Free standing unit can be located next to collection container for disposal
- Suitable for most grit removal systems
- Auto-lubrication
- Automatic operation

How we create value

- Long design life
- Requires minimal maintenance
- Reduced operational requirements



J+A Screw Classifier

The J+A Screw Classifier system is a free-standing packaged classifier for the separation of mineral grit from other solids and water discharged by grit removal systems.

The J+A Screw Classifier unit can be sited adjacent to the point of collection. The J+A Screw Classifier system is designed to receive a mixture of grit and water by a pump rising main or gravity feed. Pumps may be of the centrifugal, positive displacement or air lift type.

A receiving header box on top of the J+A Screw Classifier unit ensures the correct pattern of feed. This water / solids mixture then enters the settlement bowl of the J+A Screw Classifier unit, where water level is maintained by a series of weirs. A peripheral

weir removes any floating solids, and a second weir is positioned within the trough wall to scalp off those other solids that are lighter than grit.

Alternatively, a hydro-cyclone can be used as a receiver for pumped flow. This reduces the proportion of liquid delivered to the classifier, yet retains mineral particles of the specified size range. A hydro-cyclone also enhances the classification of grit particles from lighter organic solids.

Set within the settlement bowl is the inclined Archimedean screw. As the screw is rotated, settled solids are transported up the incline to above water level. The grit product is dewatered as it is elevated by the screw to a high discharge point. All extraneous solids and water are drained to the main sewage flow.

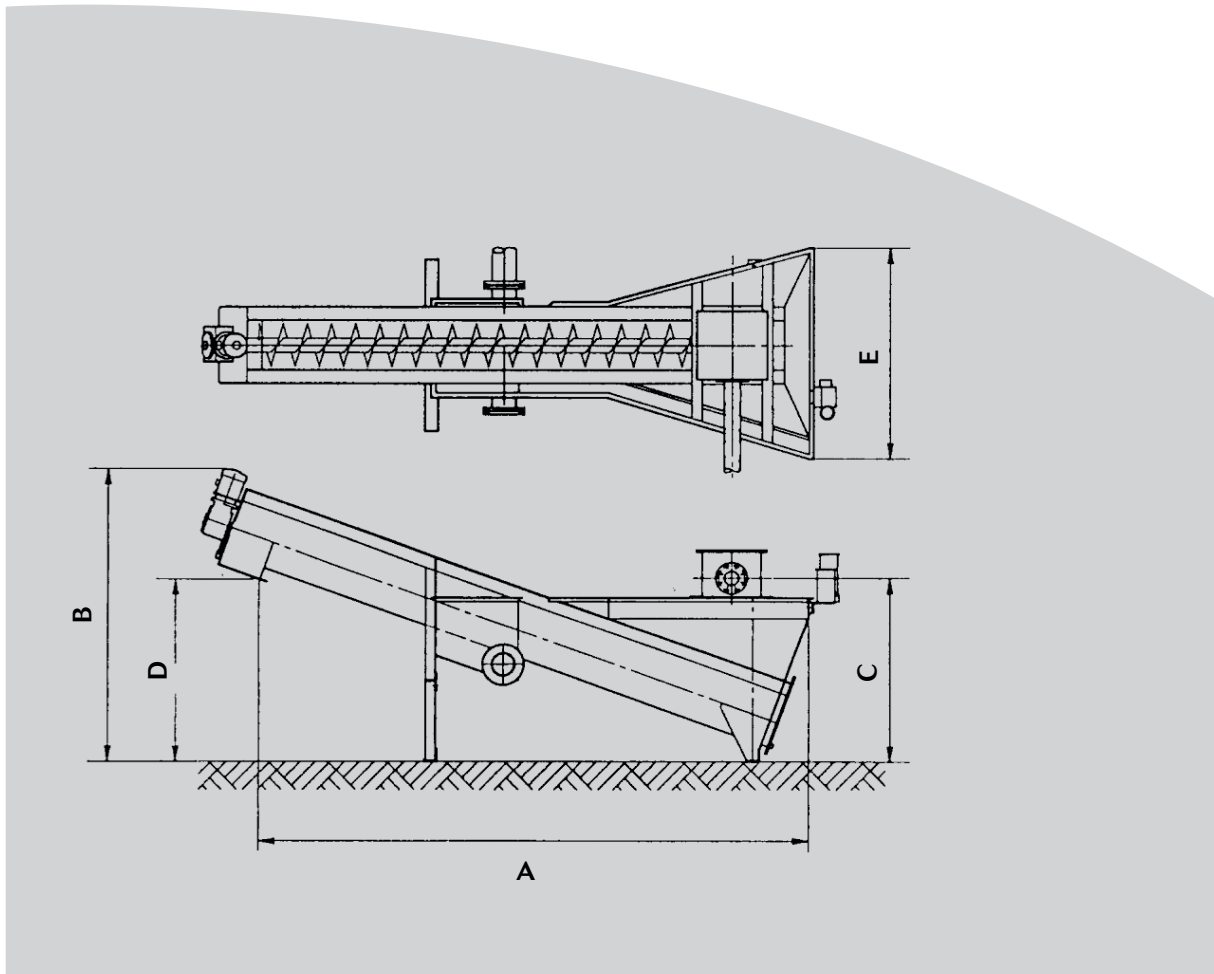


Special bottom bearing with increased surface area to prolong life. A large opening for easy access maintenance is also provided.

Capacity

J+A Screw Classifier		Dimensions in mm			
Machine Size	A	B	C	D	E
100	3850	2060	1285	1200	1470
300	5210	2970	1750	2060	2124

Machine Size	Maximum flow rate (liters per minute)
100	450
300	1350



www.ovivowater.com

© Copyright 2010 GLV. All rights reserved

100.EE.1029.102010